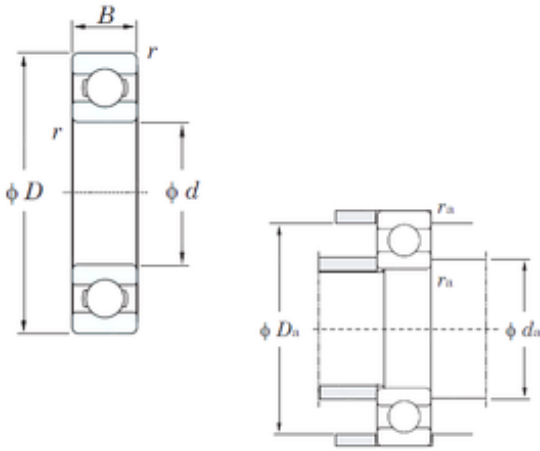




MRC DRIVESHAFT ANDERSON LTD



6303 6303zz 6303 2RS 17*47*14mm Bearing and
SKF NSK NTN Koyo Japan Brand Deep Groove
Ball Bearing 6301 6302 6303 6304 6305 6306 6307
6308 6309 6310

Bearing No. 6303

6303 Bearing 2D drawings and 3D CAD models

| | |
|-------------------------------|--------------------------|
| Size | 17x47x14 mm |
| Bore Diameter | 17 mm |
| Outer Diameter | 47 mm |
| Width | 14 mm |
| d | 17 mm |
| D | 47 mm |
| B | 14 mm |
| C | 14 mm |
| r min. | 1 mm |
| da min. | 22 mm |
| Da max. | 42 mm |
| ra max. | 1 mm |
| Weight | 0,115 Kg |
| Basic dynamic load rating (C) | 13,6 kN |
| Basic static load rating (C0) | 6,65 kN |
| (Grease) Lubrication Speed | 15000 r/min |
| (Oil) Lubrication Speed | 18000 r/min |
| Category | Single Row Ball Bearings |
| Inventory | 0.0 |
| Manufacturer Name | KOYO |
| Minimum Buy Quantity | N/A |
| Weight / Kilogram | 0.123 |
| EAN | 0605790071928 |
| | |



MRC DRIVESHAFT ANDERSON LTD

| | |
|---------------------------------|--|
| Product Group | B00308 |
| Enclosure | Open |
| Precision Class | ABEC 1 ISO P0 |
| Maximum Capacity / Filling Slot | No |
| Rolling Element | Ball Bearing |
| Snap Ring | No |
| Internal Special Features | No |
| Cage Material | Steel |
| Internal Clearance | C0-Medium |
| Inch - Metric | Metric |
| Long Description | 17MM Bore; 47MM Outside Diameter; 14MM Outer Race Diameter; Open; Ball Bearing; ABEC 1 ISO P0; No Filling Slot; No Snap Ring; No Internal Special Features |
| Category | Single Row Ball Bearing |
| UNSPSC | 31171504 |
| Harmonized Tariff Code | 8482.10.50.68 |
| Noun | Bearing |
| Keyword String | Ball |
| Manufacturer URL | http://www.koyousa.com |
| Manufacturer Item Number | 6303 |
| Weight / LBS | 0.272 |
| Outside Diameter | 1.85 Inch 47 Millimeter |
| Outer Race Width | 0.551 Inch 14 Millimeter |
| Bore | 0.669 Inch 17 Millimeter |
| Bearing No. | 6303 |
| r(min) | 1 |
| Cr | 17.0 |
| C0r | 6.65 |
| Cu | 0.550 |
| | |



MRC DRIVESHAFT ANDERSON LTD

| | |
|-------------------|-------|
| f0 | 12.4 |
| Grease lub. | 15000 |
| Oil lub. | 18000 |
| da(min) | 22 |
| Da(max) | 42 |
| ra(max) | 1 |
| (Refer.) Mass(kg) | 0.115 |