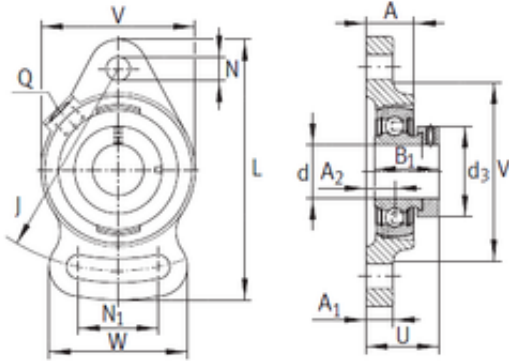




MRC DRIVESHAFT ANDERSON LTD

INA PSFT35 Take-Up Ball Bearing



PSFT35 Bearing 2D drawings and 3D CAD models

Bearing No. PSFT35

| | |
|-------------------------------|-------------------------|
| Bore Diameter | 35 mm |
| d | 35 mm |
| V | 90 mm |
| U | 44,5 mm |
| Thread (Q) | Rp1/8 |
| d3 | 51 mm |
| A | 25 mm |
| A1 | 12,5 mm |
| B1 | 39 mm |
| J | 128 mm |
| L | 155 mm |
| N | 14 mm |
| N1 | 45 mm |
| W | 75 mm |
| A2 | 15 mm |
| Weight | 1,1 Kg |
| Basic dynamic load rating (C) | 25,5 kN |
| Category | Mounted Units & Inserts |
| Inventory | 0.0 |
| Manufacturer Name | SCHAEFFLER GROUP |
| Minimum Buy Quantity | N/A |
| Weight / Kilogram | 1.318 |
| EAN | 4012802112412 |
| Product Group | M06110 |