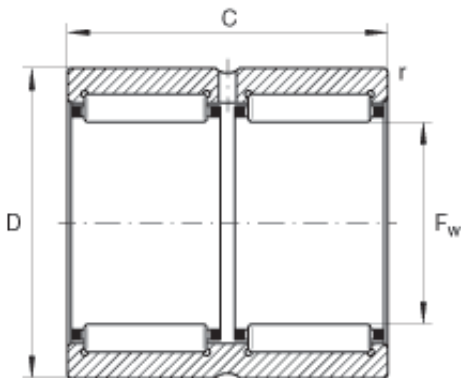




# MRC DRIVESHAFT ANDERSON LTD

## INA RNA6916-ZW Needle Roller Bearings

Bearing No. RNA6916-ZW



RNA6916-ZW Bearing 2D drawings and 3D CAD models

Size	90x110x54 mm
Bore Diameter	90 mm
Outer Diameter	110 mm
Width	54 mm
$F_w$	90 mm
D	110 mm
C	54 mm
$r_{min}$	1 mm
m	987 g / Weight
$C_r$	153000 N / Dynamic load rating (radial)
$C_{or}$	300000 N / Static load rating (radial)
$C_{ur}$	53000 N / Fatigue limit load, radial
$n_G$	5100 1/min / Limiting speed
$n_B$	2850 1/min / Reference speed
Category	Needle Non Thrust Roller Bearings
Inventory	0.0
Manufacturer Name	SCHAEFFLER GROUP
Minimum Buy Quantity	N/A
Weight / Kilogram	1.182
Product Group	B04144
Rolling Element	Needle Roller Bearing
Component	Roller Assembly with Outer Ring - No Inner Ring



## MRC DRIVESHAFT ANDERSON LTD

Enclosure	Open
Self Aligning	No
Retainer	Yes
Number of Rows of Rollers	Double Row
Separable	No
Closed End	No
Inch - Metric	Metric
Relubricatable	Yes
Thrust Bearing	No
Long Description	90MM Bore; 110MM Outside Diameter; 54MM Width; Needle Roller Bearing; Roller Assembly with Outer Ring - No Inner Ring; Open Enclosure; No Self Aligning; Retainer; Double Row of Rollers; No Separable;
Other Features	2 Rib Outer Ring   Precision Bearing   Steel Cage   Ground Raceway with Rib   Oil Hole
Category	Needle Non Thrust Roller Bearing
UNSPSC	31171512
Harmonized Tariff Code	8482.40.00.00
Noun	Bearing
Keyword String	Needle
Manufacturer URL	<a href="http://www.ina.com">http://www.ina.com</a>
Manufacturer Item Number	RNA6916
Weight / LBS	2.176
Width	2.126 Inch   54 Millimeter
Bore	3.543 Inch   90 Millimeter
Outside Diameter	4.331 Inch   110 Millimeter