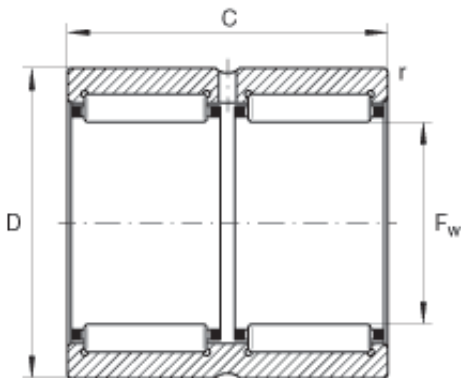




MRC DRIVESHAFT ANDERSON LTD

INA RNA6914-ZW Needle Roller Bearings

Bearing No. RNA6914-ZW



RNA6914-ZW Bearing 2D drawings and 3D CAD models

Size	80x100x54 mm
Bore Diameter	80 mm
Outer Diameter	100 mm
Width	54 mm
F_w	80 mm
D	100 mm
C	54 mm
r_{min}	1 mm
m	857 g / Weight
C_r	145000 N / Dynamic load rating (radial)
C_{or}	265000 N / Static load rating (radial)
C_{ur}	47500 N / Fatigue limit load, radial
n_G	5700 1/min / Limiting speed
n_B	3250 1/min / Reference speed
Category	Needle Non Thrust Roller Bearings
Inventory	0.0
Manufacturer Name	SCHAEFFLER GROUP
Minimum Buy Quantity	N/A
Weight / Kilogram	1.026
Product Group	B04144
Rolling Element	Needle Roller Bearing
Component	Roller Assembly with Outer Ring - No Inner Ring



MRC DRIVESHAFT ANDERSON LTD

Enclosure	Open
Self Aligning	No
Retainer	Yes
Number of Rows of Rollers	Double Row
Separable	No
Closed End	No
Inch - Metric	Metric
Relubricatable	Yes
Thrust Bearing	No
Long Description	80MM Bore; 100MM Outside Diameter; 54MM Width; Needle Roller Bearing; Roller Assembly with Outer Ring - No Inner Ring; Open Enclosure; No Self Aligning; Retainer; Double Row of Rollers; No Separable;
Other Features	2 Rib Outer Ring Precision Bearing Steel Cage Ground Raceway with Rib Oil Hole
Category	Needle Non Thrust Roller Bearing
UNSPSC	31171512
Harmonized Tariff Code	8482.40.00.00
Noun	Bearing
Keyword String	Needle
Manufacturer URL	http://www.ina.com
Manufacturer Item Number	RNA6914
Weight / LBS	1.89
Outside Diameter	3.937 Inch 100 Millimeter
Width	2.126 Inch 54 Millimeter
Bore	3.15 Inch 80 Millimeter